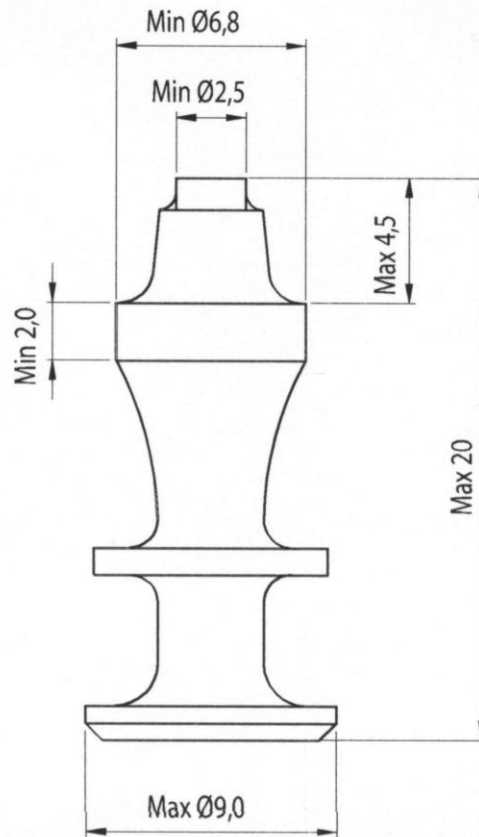


## SIZE REQUIREMENTS FOR THE RALLY STUDS

**Studded tyres must conform to the following requirements:**

- studs must be solid, in cylindrical shape and flatly chopped;
- cross-section of the studs be in full circular shape at any place of the stud;
- stud must not be tubular at any place;
- stud block must be solid, inner holes or tubes are not allowed;
- maximum diameter of stud sole is 9 mm;
- minimum diameter of metal stud core is 2.5 mm. Core must be solid, in cylindrical shape and flatly chopped;
- studs must not be longer than 20 mm;
- maximum weight of stud is 4 grams;
- studs must be mounted on the outside of the tyre;
- maximum number of studs must not exceed 20 units at any decimetre of wheel circumference.